

APPENDIX D



RODNEY HUNT COMPANY

MILL STREET • ORANGE, MASS. • 01364 • (617) 544-2511

To: Granite Construction Company Date: July 6, 1979
P.O. Box 900 Your P.O.: 9-63-51-02
Watsonville, CA 95076 Our S.O.: 94075-2
Project: Arden Pump Station
Attn: John Schroeder Sacramento, CA

Gentlemen:

We are sending HEREWITH UNDER SEPARATE COVER 11 copies of the

following PRELIMINARY APPROVAL
 CERTIFIED DISTRIBUTION
 REVISED drawings for your INFORMATION
 REPRODUCIBLE RECORDS

DRAWING NUMBER	DESCRIPTION
	Item #1 Upper Wet Well Area - One (1) Unit Req'd #G01101
D-28295	Inst: 48" x 54" Sluice Gate, Ser. Hy-0-145
C-14884	Assy: 48" x 54" " " " "
E-21956-1	Det: 48" x 54" Wall Thimble, "F" Section, 12" deep
94075-2	Specification Sheet
	Item #2 Lower Wet Well Area - One (1) Unit Req'd #G01102
D-28296	Inst: 48" x 78" Sluice Gate, Ser. Hy-0-140
C-14837-8	Assy: 48" x 78" " " " "
E-21965-1	Det: 48" x 78" Wall Thimble, "F" Section, 12" deep
94075-2	Specification Sheet
	Item #3 Lower Wet Well - One (1) Unit Req'd #G01123
✓ C-14886	Inst: 30" x 30" Sluice Gate, Ser. 140
✓ E-21952	Assy: 30" x 30" " " " "
✓ E-16643-2	Det: 30" Dia. Wall Thimble, "F" Section, 8" deep
✓ E-21947	Det: Wall Bracket
✓ 94075-2	Specification Sheet

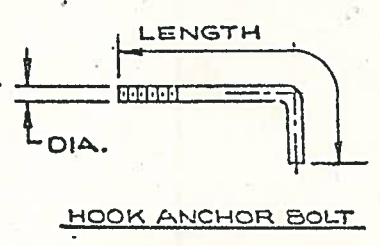
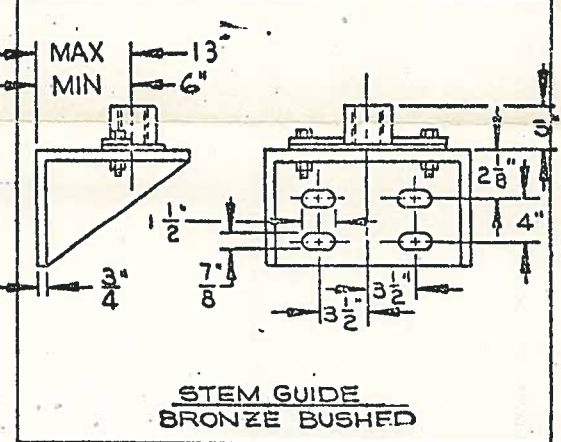
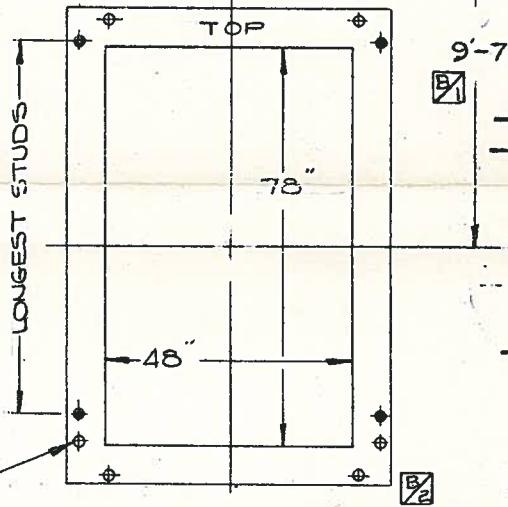
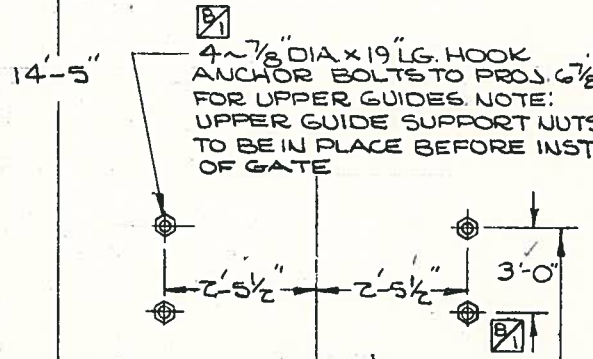
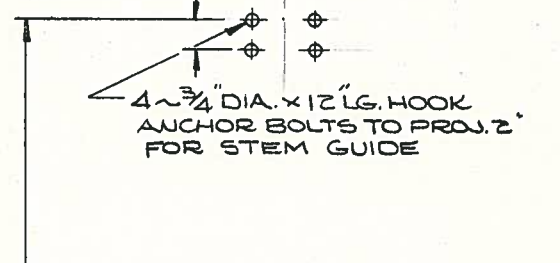
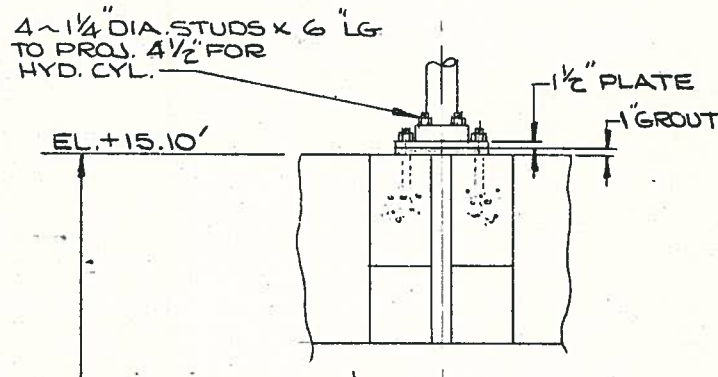
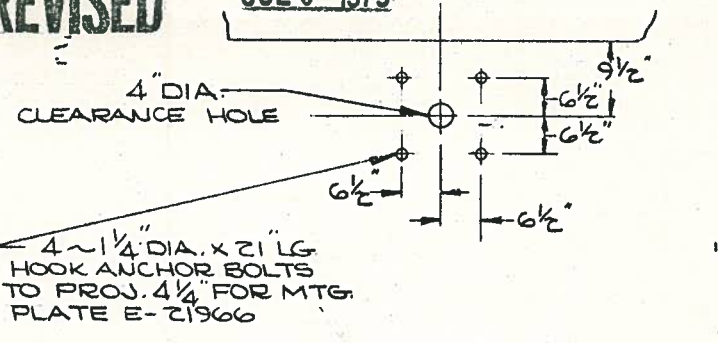
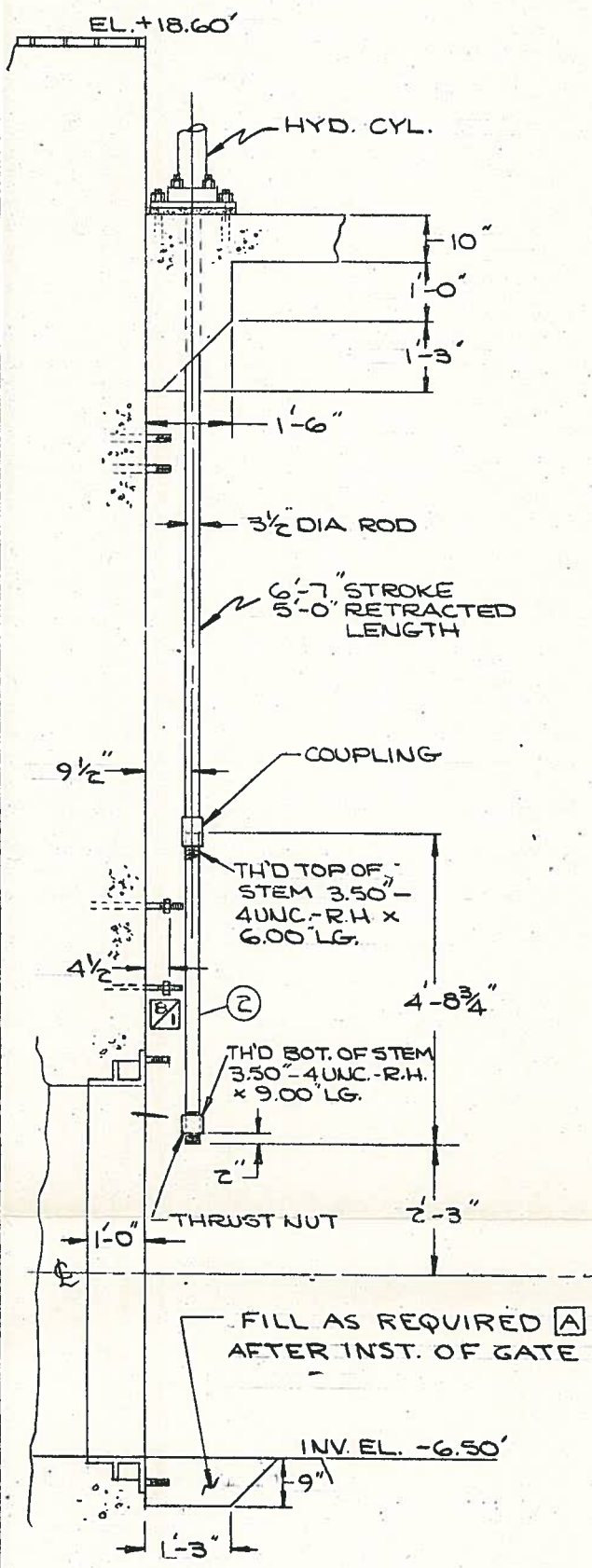
Remarks: See attached sheets.

Our present manufacturing schedule is dependent on the return of approved drawings by Note that approval delays may affect delivery dates.

CC: J-M Squared Equipment
Very truly yours,
RODNEY HUNT COMPANY
By James E. Rossi
James E. Rossi, Designer
WCE Engineering

REVISED

VOL. 1313



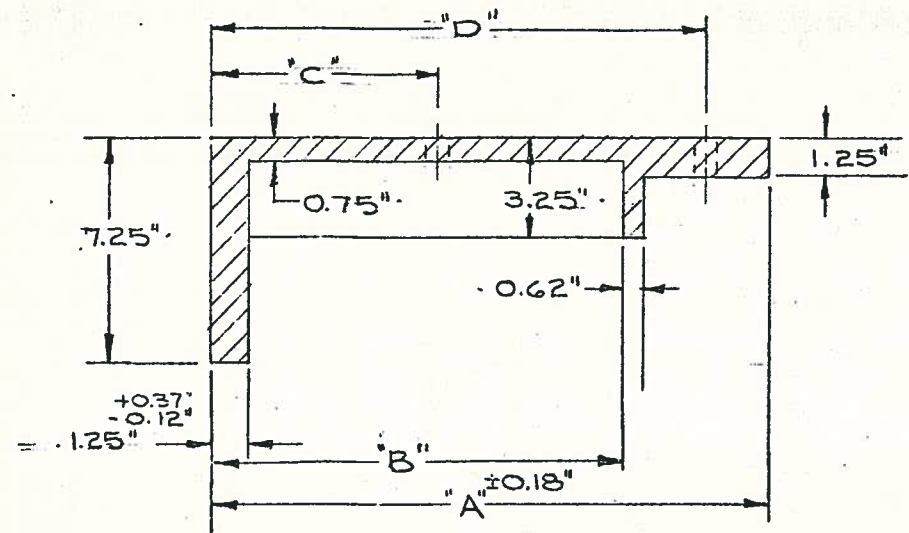
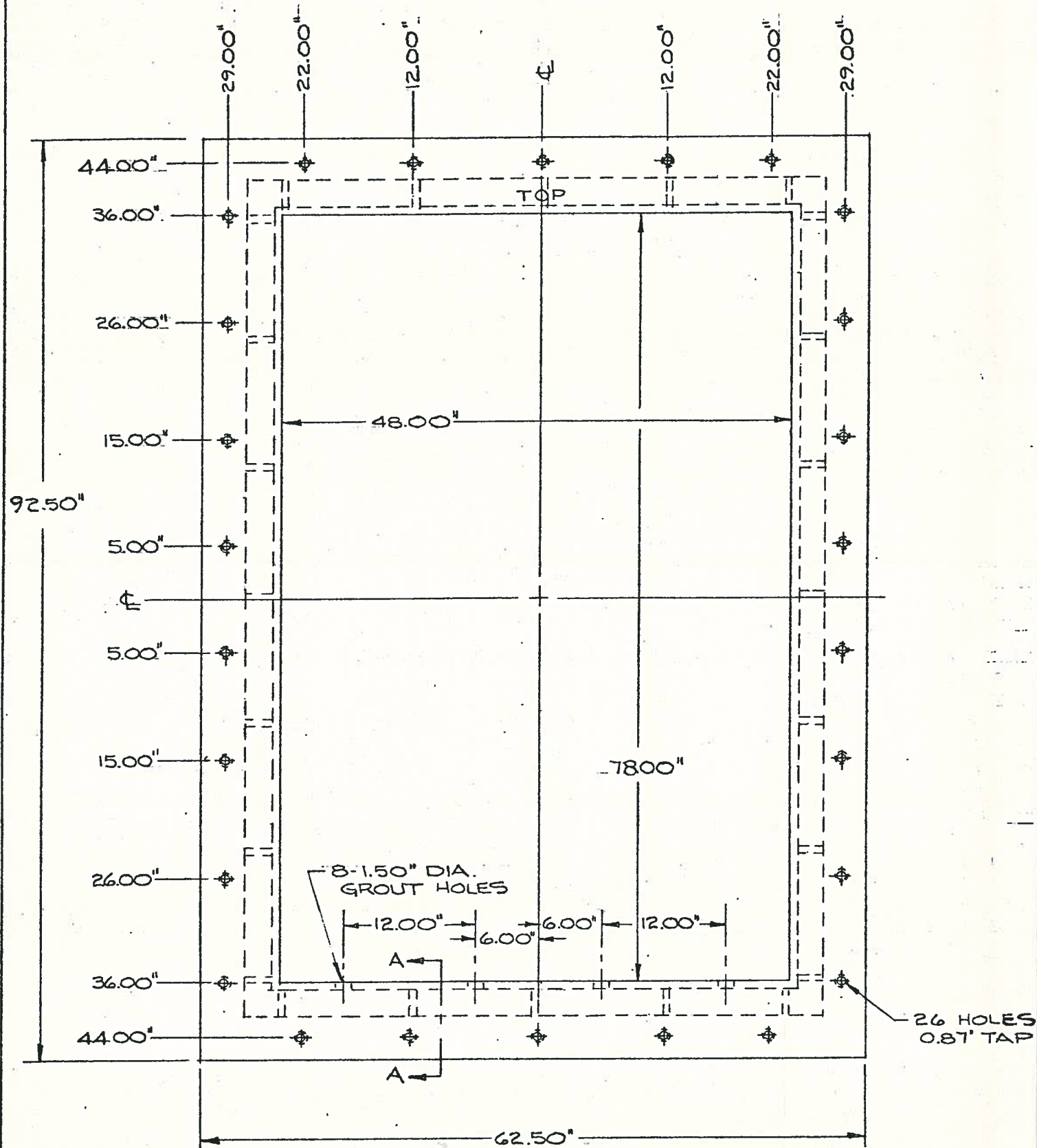
PROJECT: ARDEN PUMP STATION SACRAMENTO, CA	
GATE LOCATION: LOWER WET WELL AREA	
GATE NO. 601102	QUANTITY: 1 ORDER ITEM NUMBER: 2
FOR MATERIALS SEE SPECIFICATION SHEET: 94075-2	
RODNEY HUNT COMPANY, ORANGE, MASS., 01364	
THIS PRINT IS THE PROPERTY OF RODNEY HUNT COMPANY THOSE WHO ACCEPT THIS PRINT AGREE THAT IT SHALL NOT BE GIVEN, LOANED, EXHIBITED OR COPIED AND THAT IT SHALL BE RETURNED UPON REQUEST TO RODNEY HUNT COMPANY NCVEL AND PATENTABLE FEATURES SHOWN ARE PROTECTED BY U.S. AND OR FOREIGN PAT. AND PAT. PEND.	
INSTALLATION: 48" x 78" SLUICE GATE	
SERIES HY-Q-140 FOR GRANITE	
CONST. CO. WATSONVILLE, CA.	
DRAWN RDA	DESIGNED DATE 4-2-79
CHECKED RDA	APPROVED SCALE N.T.S.
INDEX SYMBOL	ORDER NO. 94075-2 DWG. NO. D-28296

ALT.	CHANGE	BY	CHKD.	DATE
A	REVISED NOTE AS REQ'D	JER	SSP	6-28-79
B	ADD'D 2 UPPER GUIDE ANCHORS & DIMS. # 2 - REVISED GATE ASSEMBLY DWG NO.	TFB	DR	7-5-79

DWG. NO. D-28296

HOIST: _____ STOP COLLAR: _____ STEM GUIDE: E-236A-13 FLR MTD. STEM GUIDE: _____ THRUST NUT: E-16215-43 COUPLING: E-17491-5 ATTACH PER: _____

NOTE: RIBS PER DWG C-12666



SECTION A-A

ITEM NO.	DEPTH "A"	"B"	GROUT HOLES "C"	"D"	PATTERN NO.
1	12.00"	7.37"	4.25"	9.00"	2-C079-01
2	14.00"	7.37"	"	11.00"	" -02
3	15.00"	7.37"	"	11.50"	" -03
4	16.00"	7.37"	"	12.00"	" -04
5	18.00"	13.37"	7.25"	15.00"	" -05
6	20.00"	13.37"	"	17.00"	" -06
7	22.00"	13.37"	"	18.00"	" -07
8	24.00"	13.37"	"	19.00"	" -08

Jo-1102

JUL 6 1979

TEMPLATE NO. B-048145

13,300

RODNEY HUNT COMPANY, ORANGE, MASS., 01364

THIS PRINT IS THE PROPERTY OF RODNEY HUNT COMPANY THOSE WHO ACCEPT THIS PRINT AGREE THAT IT SHALL NOT BE GIVEN, LOANED, EXHIBITED OR COPIED AND THAT IT SHALL BE RETURNED UPON REQUEST TO RODNEY HUNT COMPANY NOVEL AND PATENTABLE FEATURES SHOWN ARE PROTECTED BY U.S. AND OR FOREIGN PAT. AND PAT. PEND.

DETAIL: 48"x78" WALL THIMBLE

F-SECTION - TAB. DEPTH

DRAWN RDA DESIGNED DATE 3-30-79

CHECKED ROP APPROVED SCALE N.T.S.

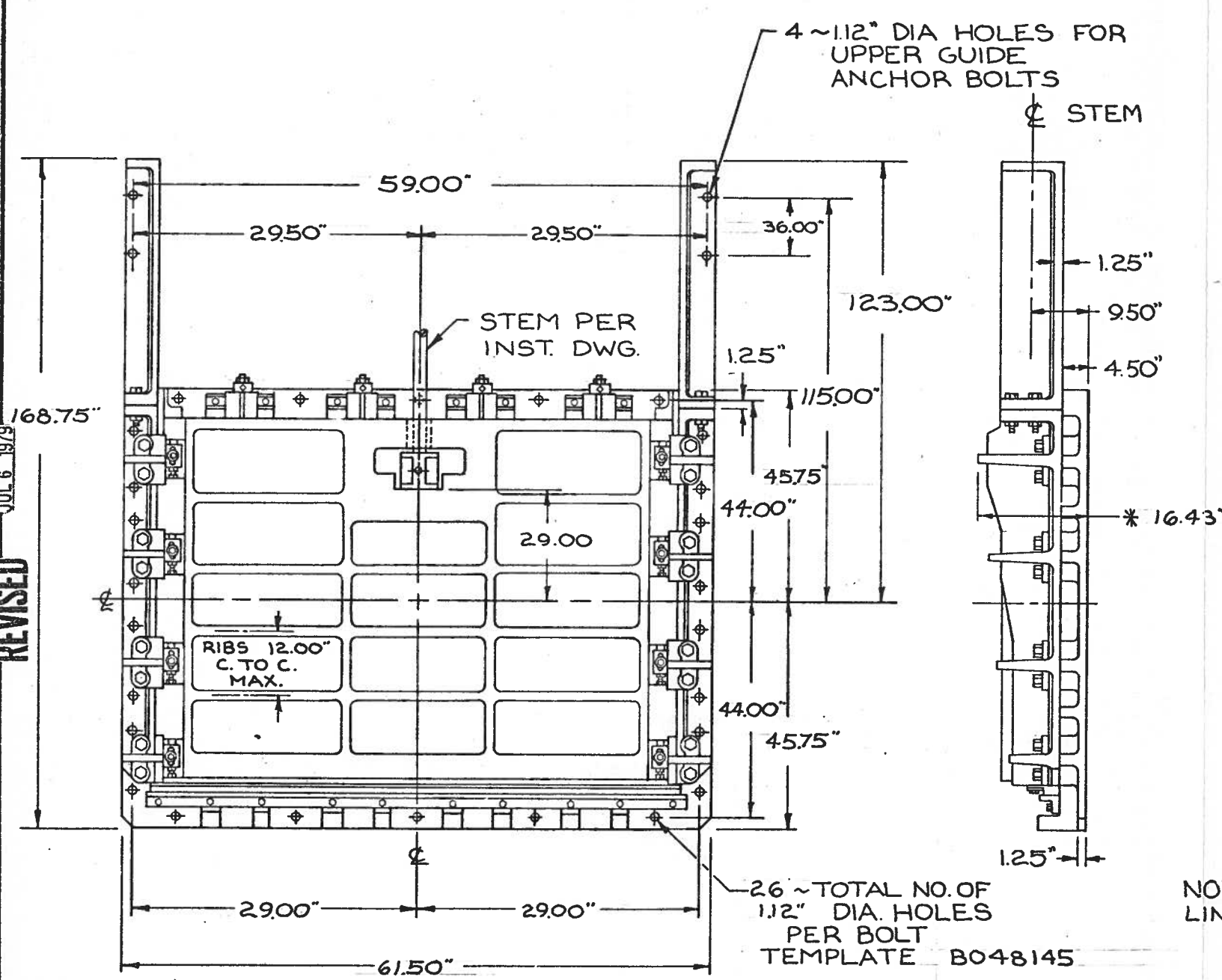
INDEX SYMBOL PL1EM

ORDER NO. DWG. NO. E-21965

ALT.	CHANGE	BY	CKD.	DATE	ALT.	CHANGE	BY	CKD.	DATE

EQUINOR

90-1102



NOTE ~ BRONZE TONGUE & GROOVE LINERS FOR MODULATING SERVICE

* MAXIMUM OVERALL DEPTH OF ASSEMBLY

13.300

RODNEY HUNT COMPANY, ORANGE, MASS., 01364	
ASSEMBLY ~ 48" x 78"	
SLUICE GATE ~ SERIES HYQ 140	
W/ SHORT GUIDES	
DRAWN TFB	DATE 7-5-79
CHECKED DRL	SCALE NTS
INDEX NYB IBM AGP	DWG. NO C-14837

REVISED JUL 6 1979

NO.	DATE	BY	CHKD.	APP.	DESCRIPTION