

ADDENDUM NO. 1

**TO THE PROSPECTIVE BIDDERS UNDER RFB NO. 8244
SECONDARY SEDIMENT TANKS NO. 1 & 13 REPAIR
SACRAMENTO REGIONAL COUNTY SANITATION DISTRICT
SACRAMENTO COUNTY, CALIFORNIA**

RECEIPT OF THIS ADDENDUM MUST BE ACKNOWLEDGED IN THE
SPACE PROVIDED IN THE COST RESPONSE BID FORM

Addendum Item	Section and Page or Drawing No.	Location and Description of Change
1.01	RFB Appendix Q BID DRAWINGS Drawing Number S1	Replace Drawing Number S1 with revised attached.
1.02	RFB Appendix Q BID DRAWINGS Drawing Number M1 Note 2	Add to the end of Note 2 as follows: Estimate 1,300 linear feet of neoprene will be needed for this work.
1.03	RFB Appendix Q BID DRAWINGS Drawing Number M1 Note 5	Add to the end of Note 5 as follows: Estimate 1,250 fiberglass washers will be needed for this work.
1.04	RFB Page 11	Revise deadline for inquires date to June 23 rd , 2017.
1.05	RFB Cover Page and Page 2	Revise bid due date to June 28 th , 2017.
1.06	Key Action Dates RFB Page 7	Replace Key Action Dates page with revised attached.

This addendum No. 1 shall be incorporated into and made part of the above referenced contract documents for RFB No. 8244.

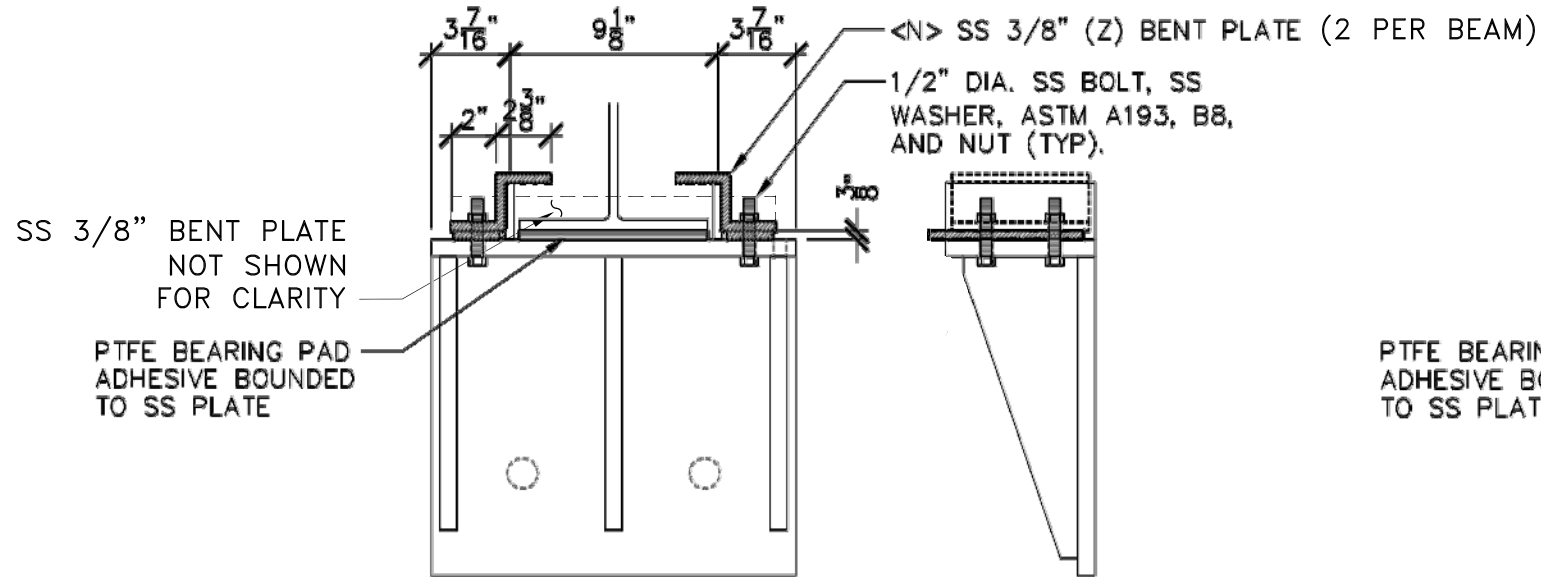
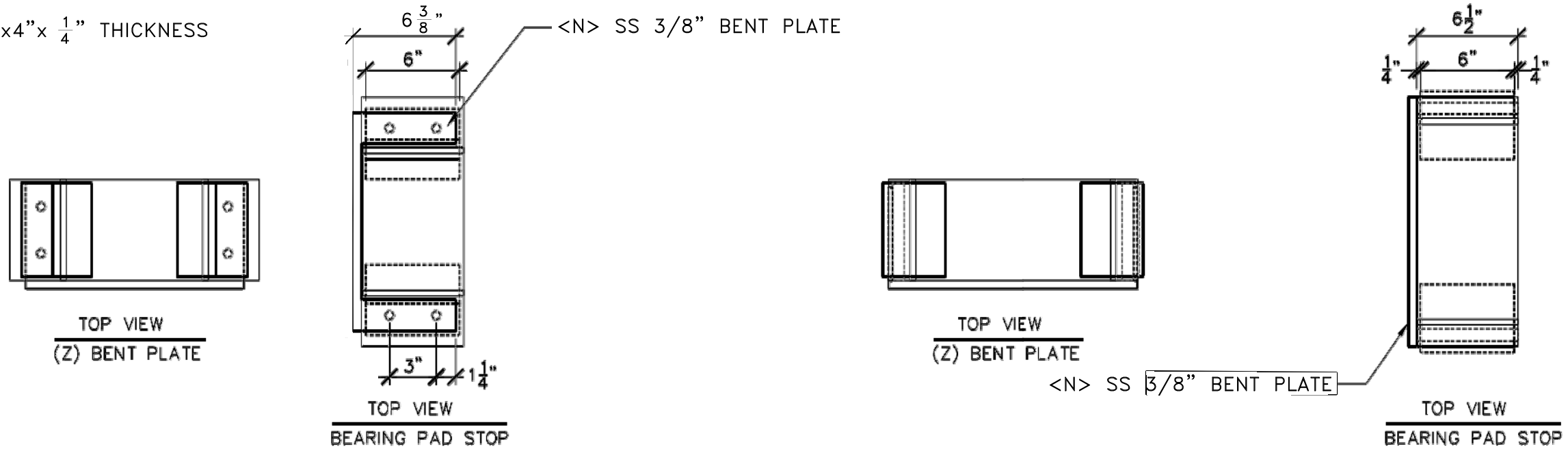
DATE: 6/19/2017

BY Scott Jones
Scott Jones, PE
Project Manager

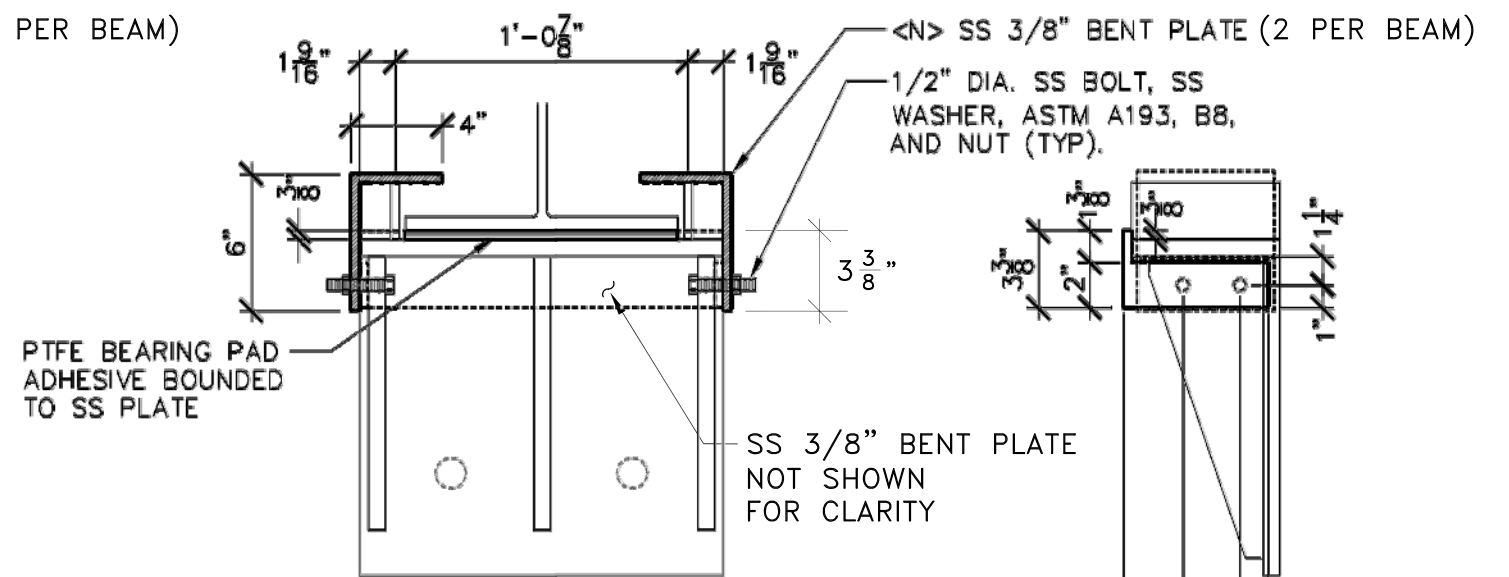
****END OF SECTION****

NOTES:

- ① CONTRACTORS TO FIELD VERIFY DIMENSIONS PRIOR TO FABRICATING PLATES.
- ② PTFE BEARING PADS ARE 6"x4"x 1/4" THICKNESS



W21 X 55
NOT TO SCALE



W24 X 100
NOT TO SCALE



REVISIONS				
ZONE	REV.	DESCRIPTION	BY	DATE
		ADDENDUM 1	JS	6/16/17

LINE IS 2 INCHES AT FULL SIZE (IF NOT 2"-SCALE ACCORDINGLY)

FILE _____
 DRAWN J.S.
 DESIGNED _____
 CHECKED L.E.

CONTRACT NUMBER _____

SACRAMENTO REGIONAL COUNTY SANITATION DISTRICT OF SACRAMENTO COUNTY, CALIFORNIA
 SACRAMENTO REGIONAL WASTEWATER TREATMENT PLANT

CIVIL
 SST 1 AND 13
 BEAM SUPPORT MODIFICATION DETAILS

SCALE AS SHOWN
 DRAWING NUMBER S1
 SHEET NUMBER 2 OF 3

KEY ACTION DATES

Bid Issue:	May 25, 2017
RFB Advertisement:	May 25, 2017 and May 31, 2017
<u>Mandatory Pre-Bid Meeting</u>	June 8, 2017 at 10:00AM Sacramento Regional Wastewater Treatment Plant 8521 Laguna Station Road Elk Grove, CA 95758
Question Due Date:	June 23, 2017
DIR Registration Due:	June 27, 2017 Bids from Contractors not registered on the Department of Industrial Relations website by this date, will not be opened.
Bid Due Date:	June 28, 2017 at 3:00PM
Intent to Award:	July 5, 2017
Provide Required Insurance and Bonds	July 17, 2017
Vet Bonds	July 18, 2017
Contract Award:	July 19, 2017
Notice to Proceed:	July 20, 2017
Pre-construction Meeting:	TBA
Project Completion:	15 Working Days